

CavGuard Roll 65

Tenmat's CavGuard Roll 65 has been designed to reinstate fire resistance performance within external wall cavities, that require permanent ventilation (in non-fire conditions).

Product Description

Tenmat's CavGuard Roll 65 is a cavity fire barrier designed to firestop the cavity behind external walls consisting of outer substrates of masonry or brickwork. The low smoke zero halogen highly expansive intumescent material allows ventilation to be maintained in non-fire conditions.

The CavGuard Roll 65 is made from a flexible intumescent material allowing it to be provided in a roll format. With a thickness of only 6mm, the low profile design offers significant space and labour saving over traditional cavity socks, whilst also ensuring the external cavity is left unobstructed and free to ventilate. It is also covered with a protective layer of polythene for ease of handling and to protect it from water.

In the event of a fire the CavGuard Roll 65's intumescent material will expand to close the external wall cavity, providing effective fire resistance, for integrity and insulation for 60 minutes* depending upon the construction of the external wall cavity. The CavGuard Roll 65 is designed to close off a total cavity of 65mm which allows for building tolerances of up to 15mm (above the typical maximum cavity ventilation requirements of 50mm).

Product Details

Technical

- A fire rated product, providing fire resistance performance within external wall cavities, for periods up to 60 minutes*
- Suitable for masonry and brickwork external substrates only
- Ventilated design – developed to allow maximum ventilation of uninsulated cavities reducing the need for cavity trays or weepholes.
- Suitable for ventilated cavities up to 65mm wide, including building tolerances of up to 15mm (50mm + 15mm)
- Provided in rolls of 6.3m long

Installation and maintenance

- Flexible and lightweight - designed to be easily and quickly installed
- No maintenance required after installation

Dimensions

6mm x 75mm x 6,300mm

Packaging

Box QTY	Pallet QTY	Full Load QTY
60	240	5760

Box dimensions - 1,188 x 788 x 310mm

Approved Applications

CavGuard Roll 65 “open state ventilation”

United Kingdom and European Fire Performance- Tested to BS EN 1363-1 and to the principals of ASFP TGD19

Inner Leaf Substrate Type with Appropriate Fire Rating	Outer Leaf Substrate Type with Appropriate Fire Rating	Orientation	Insulation Type Within Cavity	Maximum Cavity Width (in mm)	Maximum Open State Air Gap (in mm)	Product Dimensions (thickness x height x length in mm)	For Use Within Internal or External Corners	Product Fire Resistance Rating	
								Integrity	Insulation
Timber Frame with OSB3	Concrete	Horizontal	None	65	59	6 x 75 x 6300	Internal and external	60	60
Timber Frame with Calcium Silicate Board	Brick/Blockwork	Horizontal	None	65	59	6 x 75 x 6300	Internal and external	60	60
Timber Frame with Gypsum Type Board	Pitched Face Stone	Horizontal	None	65	59	6 x 75 x 6300	Internal and external	60	60
Timber Frame with Cement Particle Board	Random Faced Stone	Horizontal	None	65	59	6 x 75 x 6300	Internal and external	60	60

Any option of Inner Leaf may be used with any combination of Outer Leaf

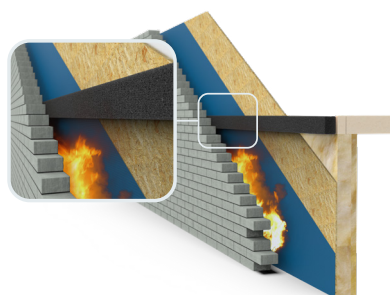
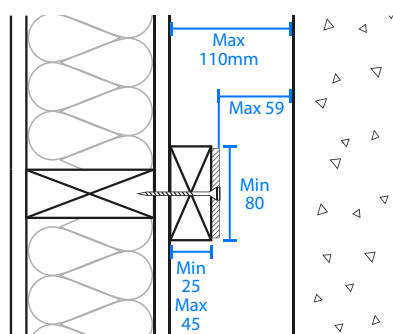
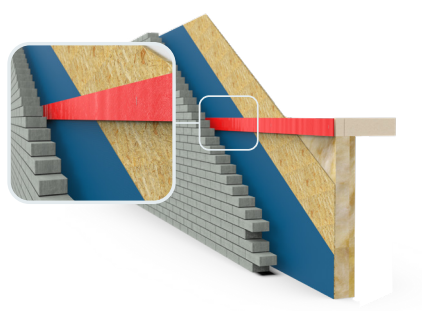
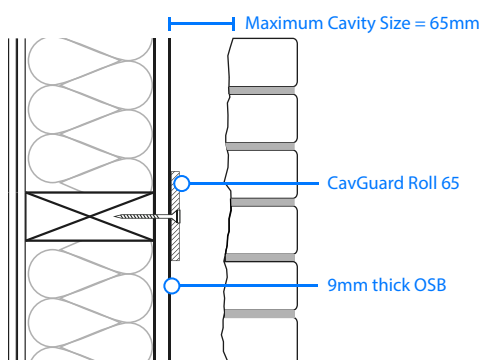
Open state cavity barriers are tested in conjunction with the technical guidance document developed by the ASFP, TGD19 for use with horizontal cavity barriers, any application for open state cavity barriers should be confirmed with the person responsible for design e.g. the Architect or Fire Engineer responsible for the project design.

* Integrity and insulation performance is measured from the point of closure as per TGD19 requirements.

**For external corner details on CavGuard Roll 65, please contact Tenmat for further information that can be made available to the principle designer / fire engineer for the project in question.

The CavGuard Roll 65 maybe installed on a timber batten of min. 25mm thick up to max. 45mm thick with a height of minimum 80mm.

Typical Installation Details



Technical Details

Material	FF107
Colour / Finish	Red
Finish	PE Sleeve

Storage & Durability

Storage	Dry, ambient
Transportation storage temperature	-20°C to +70°C
Working Life	60 years (based on UK climatic conditions)
Durability	Type X intended for use in conditions exposed to weather (UV, rain, frost)
Fungal Resistance	Protected by polythene
Smoke/Halogen Content	Low Smoke / Zero Halogen

Before Installation

Before a CavGuard Roll 65 is installed the following information is required to ensure that the selected product is approved for use in the actual construction being utilised.

- 1) The type of construction being utilised, e.g. timber inner leaf and masonry outer leaf. Please note, CavGuard Roll 65 is not suitable for use behind outer leaf designs of cladding, weatherboard and similar non-masonry/brickwork materials. Consult with Tenmat for a suitable product for other outer leaf types.
- 2) The required fire resisting performance of the cavity barrier, typically 30 minutes for integrity and 15 minutes for insulation (30/15 EI). Table B3 item 17 of Approved Documents (Fire Safety) B1+B2:2020 (England and Wales).
- 3) The orientation of the cavity barrier, horizontal or vertical. For vertical applications, please consult with Tenmat for appropriate product.
- 4) The cavity size and the building tolerances of the cavity. (For example 50mm designed cavity and building tolerance 10-15mm).
- 5) Take account of any insulation within the cavity, if insulation is required within the cavity please seek additional advice from Tenmat as the CavGuard Roll 65 is not suitable for this application.

When the above information is obtained then this can be cross referenced with the CavGuard Roll 65 product approvals table to ensure that the product selection is correct. The product selected should be confirmed as being approved with the persons responsible for design, for example architect and or fire engineer.

General Preparation

Each Tenmat CavGuard Roll 65 is 6.3 metres long by 75mm wide and 6mm thick.

Suitable for maximum 65mm cavities (including building tolerances up to 15mm) providing a maximum free air cavity of 59mm (in front of the fire barrier).

POSITIONING, OBSTRUCTIONS AND INSULATION

The CavGuard Roll 65 should freely face into the cavity and should be installed horizontally in a continuous band across the floor level of the building in line with the compartment floors.

The correct positioning should be confirmed with the persons responsible for the design of the project. All joints must be tightly butted together so that the intumescent material is continuous throughout the cavity.

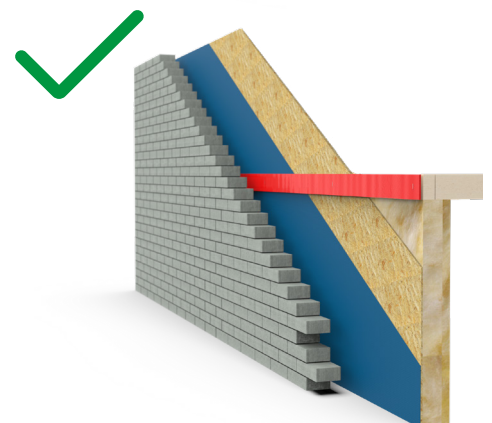
Note - The Tenmat CavGuard Roll 65 should be installed in such a way that ensures the cavity is left open, allowing the barrier to expand freely in a fire situation. Obstructions such as rails or timber battens should not interrupt, encase or cover the CavGuard Roll 65, battens and rails should be cut either side of the fire barrier.

Note - The CavGuard Roll 65 is **not** designed for use within cavities where insulation is required to be installed. More suitable alternatives are available from the Tenmat range of products, where insulation is required to be present within the cavity.

Not approved for use behind cladding /weatherboarding



Approved use behind masonry/brickwork. (CavGuard 65 must be unobstructed to allow for free expansion).



Fixing Details

Fixings (staples, screws and nails) must be fixed at maximum 40mm from the end of the fire barrier and then at maximum 150mm centres for staples and maximum 300mm centres for screws/nails.

TIMBER

Staples - When fixing directly into timber substrates with T50 staples, a minimum 12mm long stainless steel staples should be used.

Screws - When fixing directly into substrates other than OSB, stainless steel screws must be used. The diameter of the screw head should be a minimum of 5mm and a maximum width of 11.5mm, the length of the screw should be a minimum of 50mm.

Nails - Nail guns may be used, however the firing pressure should be carefully controlled to ensure that the stainless steel nail does not push through the fire barrier. The nail head diameter must be a minimum 5mm and maximum 11.5mm, the nail should be a minimum of 50mm long.

MASONRY

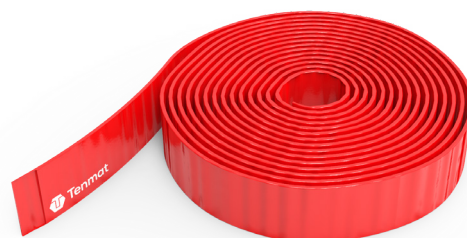
When fixing into masonry self tapping stainless steel screws should be used, the diameter of the screw head should be a minimum of 5mm and a maximum of 11.5mm. The length of the screw should be a minimum of 50mm.

CEMENTITIOUS/GYPSUM/CALCIUM SILICATE BOARDS

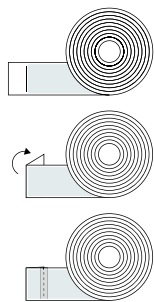
When fixing through exterior sheathing board substrates, stainless steel screws should be used, the diameter of the screw head should be a minimum of 5mm and a maximum of 11.5mm. The length of the screw should be a minimum of 50mm. Staples must not be used for these substrate types.

General Preparation

Ensure when applying the CavGuard Roll 65 to timber frame that the cavity barrier is fixed through the outer sheathing board into the timber floor construction / joist / batten of minimum 35mm high/thick, at the point of the compartment floor.

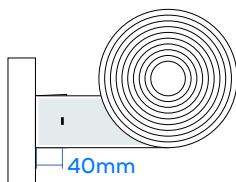


Installation of Product



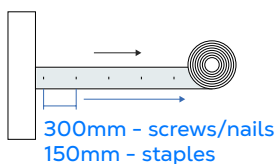
Step 1

Ensure that the polythene sleeve fully covers the free end of the roll, if the intumescent material is visible pull the polythene sleeve back to reveal the intumescent material and cut enough of the intumescent material away to allow at least 50mm of the polythene to be folded back behind the face of the roll.



Step 2

Once in position, ensure that the end of the roll is tightly butted up to the correct construction detail, then apply the first fixing within 40mm of the beginning of the roll on the centre line of the roll.



Step 3

Continue along the centre line of the roll applying fixings at maximum 300mm centres (screws/nails) or 150mm centres (staples) whilst being aware of step 6.

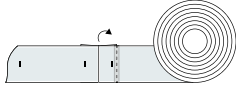


Step 4

If the roll runs out prior to the end of the required run, ensure that the intumescent material is not visible following step 1.

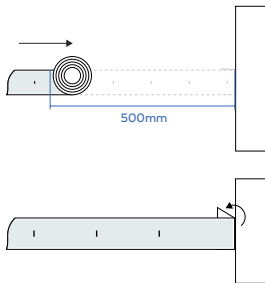
Installation Steps 5-7 continued on the next page.

Installation of Product



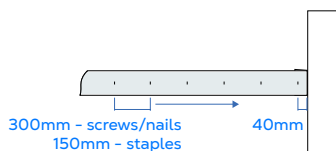
Step 5

If a new roll is required to complete the required run follow steps 1 and 2 ensuring that the two ends of the intumescent material within the polythene sleeve are closely butted together and then continue with step 3.



Step 6

Once the end of the required run is within 500mm of the finish point, carefully mark the position required for the intumescent material, trim the polythene sleeve 50mm longer than required, pull the sleeve back to uncover the intumescent material, double check the required barrier length and trim the intumescent as required, to form a tight fit against the construction detail. Pull the polythene sleeve back over the intumescent material and fold back the 50mm overcut polythene sleeve, using weather resistant tape, to the rear of the barrier.



Step 7

Continue along the centre line of the roll applying fixings at maximum 300mm centres (screws/nails) or 150mm centres (staples). Ensure the final fixing is within 40mm of the end of the roll.

Tools/fitings

PPE AND TOOLS REQUIRED FOR INSTALLATION PPE as required by installers employer, but likely to include, hand and eye protection, to protect from staples or nails. Staple or nail gun and fixings when fixing to timber. Masonry drill, fixings and screwdriver for fixing to masonry. Sharp scissors or stanley knife for cutting product. Measuring tape. Access equipment as required.

Intended use

External to building within external wall cavity, to reinstate fire resistance performance, of ventilated cavities, for up to 60 minutes for cavity widths of up to 65mm, in fire conditions.

Maintenance

No active maintenance required following installation, where alterations are made around the product it should be checked visually to ensure that the product is still installed as per the approved original design and fitting instructions at the time of the original installation.

Storage

- To be stored in a dry location
- Take care not to exceed safe working loads and heights for storage shelves and racks

CavGuard Roll 65

Tenmat Ltd
Ashburton Rd West, Manchester
M17 1TD United Kingdom

+44 161 872 2181
fpsales@tenmat.com

tenmat.com



Advanced materials.
tenmat.com



Part of the
Diamorph Group

Tenmat warrants the materials it produces will conform to Tenmat specifications and approved drawings where applicable. It is entirely the customer's responsibility to make the final product choice and satisfy themselves of the suitability of the product for the intended application, carrying out testing where required. For construction projects, all products which the customer is intending to use on a particular project must be approved in writing by the customer's building designer, system designer or design control professional, to ensure compliance with the latest regulations.

The information contained in Tenmat data sheets is presented in good faith. Tenmat Limited makes passive fire protection product suggestions based solely upon and limited to the information made available to Tenmat. Tenmat possesses knowledge of fire test data and offers manufacturers installation advice. Within reason, Tenmat is skilled at offering opinion concerning the installations in question, and can comment on interfaces with other construction materials, but this is not a recommendation or decision. Decisions on overall building fire strategy are not made by Tenmat. Tenmat products have been tested for a wide range of construction types, and they must be only used in accordance with Tenmat test evidence. Each specific Tenmat product must be installed into a construction that matches the corresponding test report. Tenmat product performance requires safe and proper handling and correct installation. For construction projects, all products which the customer is intending to use on a particular project must be approved in writing by the customer's building designer, system designer or design control professional, to ensure compliance with the latest regulations. Tenmat can provide the relevant fire test evidence on request.