



CERTIFICATE OF APPROVAL

No CF 6025

This is to certify that, in accordance with
TS00 General Requirements for Certification of Fire Protection Products
The undermentioned products of

UAP Limited

Unit 1, Albert Close Trading Estate,
Whitefield,
Manchester,
M45 8EH
Tel: 0161 796 7268

Have been assessed against the requirements of the Technical Schedule(s)
denoted below and are approved for use subject to the conditions
appended hereto:

CERTIFIED PRODUCT

Soterian Slim TS008 Letterplates

TECHNICAL SCHEDULE

TS32 - The contribution of
letterplates and their
accessories to fire resisting
and smoke control doorsets
with metallic or non-metallic
leaves

Signed and sealed for and on behalf of Warringtonfire Testing and Certification Limited

Paul Duggan
Certification Manager



Issued:
Audit Test Frequency:
Valid to:

3rd May 2022
Every 5 years
2nd May 2027





CERTIFICATE No CF 6025

UAP Limited

Soterian Slim TS008 FD30 Letterplates

1. This certification is provided to the client for their own purposes and we cannot opine on whether it will be accepted by Building Control authorities or any other third parties for any purpose.
2. Soterian Slim TS008 letterplates comprises an aluminium or stainless steel external frame with a stainless steel internal frame, aluminium internal flaps and aluminium or stainless steel external flaps with Vanquish Hardware Protection Ltd. intumescent protection material as supplied by UAP.
3. This approval applies to the Soterian Slim TS008 Letterplates used in conjunction with the Vanquish Hardware Protection intumescent liners as supplied by UAP, and to their use with the following door assemblies:

Door assemblies consisting of timber faced and edged leaves with timber, cellulosic or mineral cores in timber, metal or composite frames having fire resistances of 30 minutes, depending on letterplate assembly (Code TT, ITT, ITM, ITC)*

*** Use in composite-based door leaves is not certificated**

4. The letterplates are approved on the basis of:
 - a. Initial type testing
 - b. A design appraisal against TS32
 - c. Certification of quality management system to ISO 9001: 2008.
 - d. Inspection and surveillance of factory production control.
5. The door assembly shall be a CERTIFIRE approved product or have achieved the appropriate fire resistance performance when tested at a UKAS accredited laboratory in accordance with BS 476: Part 22: 1987 or BS EN 1634-1.
6. The letterplates may only be fitted in the manner described in this certificate and subject to any limitations on the inclusion of letterplates specified for the door leaf.
7. Letterplates shall only be fitted using the fixings supplied by the manufacturer.
8. The doorset shall be installed in accordance with BS 8214.

Signed Page 2 of 5
J/174

Issued: 3rd May 2022
Valid to: 2nd May 2027

CERTIFICATE No CF 6025

UAP Limited

Soterian Slim TS008 FD30 Letterplates

9. The approval relates to on-going production. Product and/or its immediate packaging is identified with the manufacturer's name, the product name or number, the CERTIFIRE name or name and mark, together with the CERTIFIRE certificate number and application where appropriate.
10. The following table shows acceptable doorsets types and fire resistance periods:

Integrity rating	Approved Door Leaf Construction		
	Timber-based leaf (TT, ITT, ITM, ITC)	Metallic-based leaf (MM, IMM)	Composite-based leaf
FD30	✓	✗	✗
FD60	✗	✗	✗
FD90	✗	✗	✗
FD120	✗	✗	✗
FD240	✗	✗	✗
E30	✗	✗	✗
E60	✗	✗	✗
E90	✗	✗	✗
E120	✗	✗	✗
E240	✗	✗	✗
EI30	✗	✗	✗
EI60	✗	✗	✗
EI90	✗	✗	✗
EI120	✗	✗	✗
EI240	✗	✗	✗

Key:

- ✓ - approved
✗ - not approved

See CERTIFIRE Technical Schedules for designation of doorset types i.e. IMM etc.

Signed Page 3 of 5
J/174



Issued: 3rd May 2022
Valid to: 2nd May 2027



CERTIFICATE No CF 6025

UAP Limited

Soterian Slim TS008 FD30 Letterplates

Scope of Approval:

- The Soterian Slim TS008 letterplate is a complete system using aluminium flaps (external flaps may alternatively be of steel), aluminium external frame with a stainless steel internal frame consisting of an aluminium profile. Intumescent is applied to the outer body of the letterplate as well as the internal sleeve.
- Vanquish Hardware Protection Ltd. intumescent protection, as supplied by UAP, to be as follows:
 - Flexifire V8001/F/08/SA 0.8 FF UAP TS800 wrap c/w 25x3mm HE inserts (2no.) S/A
 - Overall sizes (w x h x t): 1No. 575x40x0.8mm wrap around, 2No. 232x25x3mm inserts, 4No. 37x26x0.8mm wrapped around the bolts
- The letterplate system shall be fitted at a minimum of 220 mm and maximum of 1690 mm from the base of the door leaf to the centre line of the letterplate aperture.
- The letterplate system may be fitted to cope with fire attack from either face.
- The letterplate is approved for use with timber doorsets comprising a solid cellulosic core only.

Signed Page 4 of 5
J/174

Issued: 3rd May 2022
Valid to: 2nd May 2027

CERTIFICATE No CF 6025

UAP Limited

Soterian Slim TS008 FD30 Letterplates

- Aperture preparation detailed below:

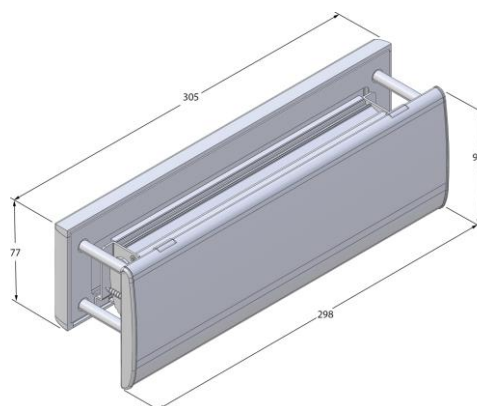
External Frame:

Distance between screw holes	277 mm
Letterplate length	305 mm
Letterplate height	77 mm
Frame Material	Aluminium or Stainless Steel
Flap material	Aluminium or Stainless Steel
Cavity hole size	55 mm x 259 mm

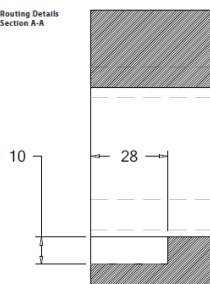
Internal Frame:

Distance between screw holes	277 mm x 48 mm
Letterplate length	298 mm
Letterplate height	98 mm
Frame Material	Stainless Steel
Flap material	Aluminium

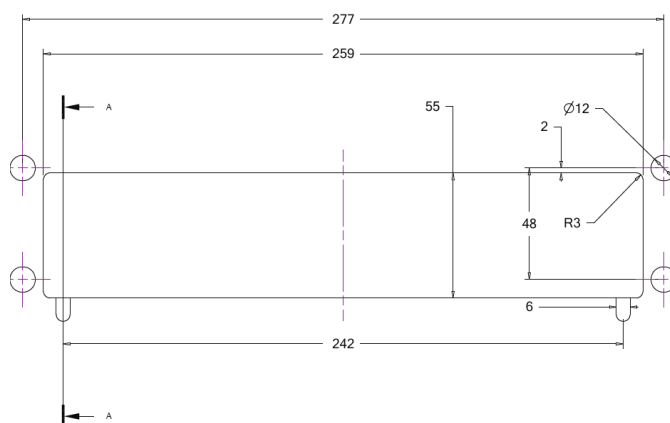
Fixing method: 4No. Ø4.3 x25 mm woodscrews to the door leaf and 4No. M6x20 mm machine screws between the internal and external frame



Routing Details
Section A-A



TS008 SLIM: ROUTING DETAILS



Further Information

Further information regarding the details contained in this data sheet may be obtained from UAP (Tel: 0161 796 7268).

Further information regarding CERTIFIRE certification and other approved products can be obtained from CERTIFIRE (Tel: 01925 646777).

Signed Page 5 of 5
J/174

Issued: 3rd May 2022
Valid to: 2nd May 2027