

WHAT IS TS008?

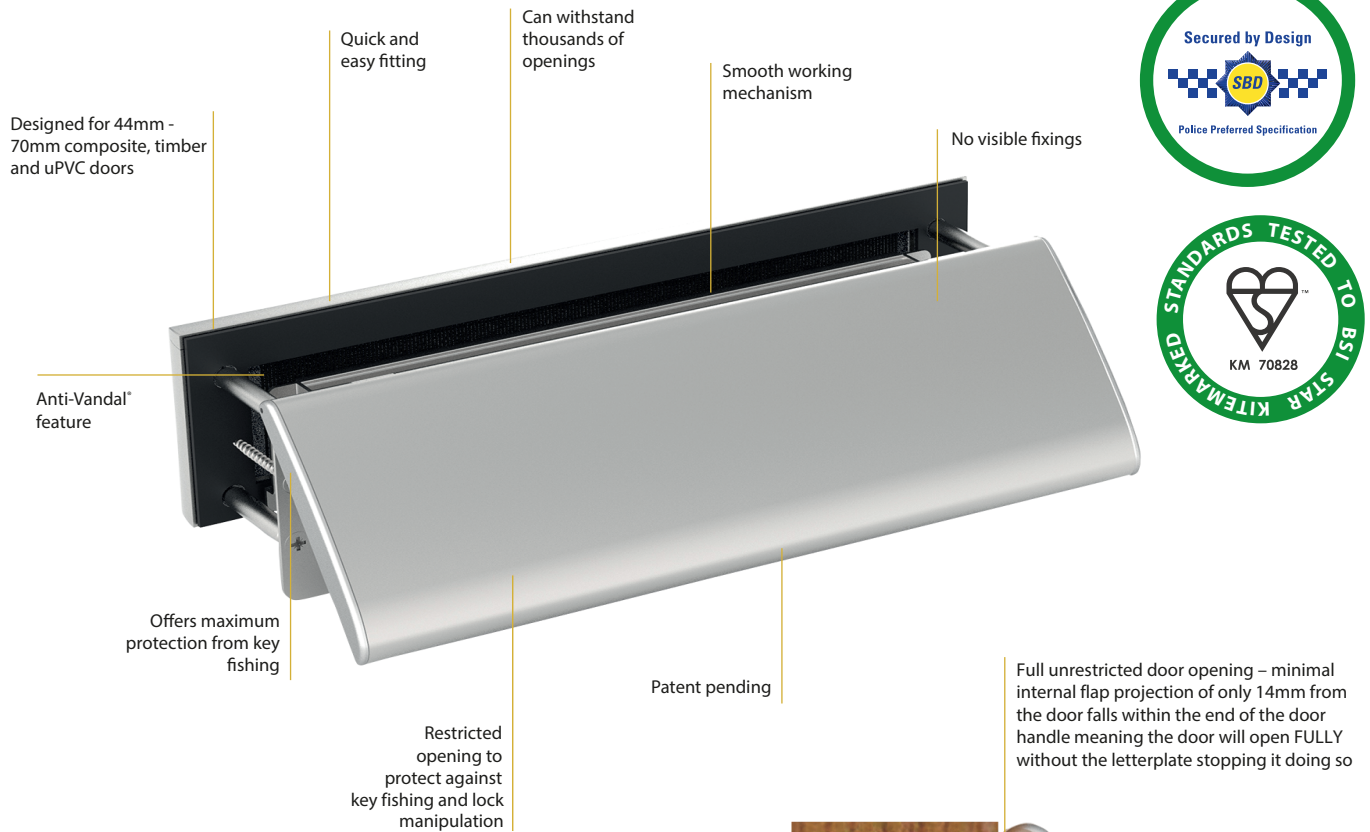
The Door & Hardware Federation (DHF) TS008: 2015 sets the advanced security requirements of letterplates. The updated door standard PAS 24:2016, now requires that a door fitted with a letterplate has to have a letterplate that is tested to and meets the requirements of TS008: 2015. As well as covering key fishing, TS008 also covers preventing being able to unlock the door through the letterplate, whilst also allowing postal items to pass freely through it.

Most compact TS008 letterplate on the market

THE SOTERIAN SLIM TS008 LETTERPLATE

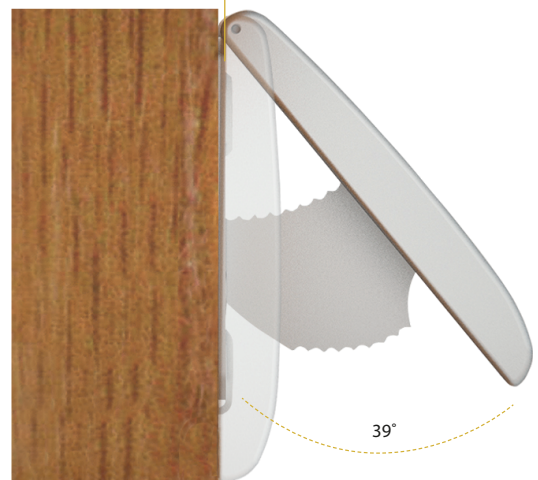
Named after the Goddess of Safety, the Soterian Slim letterplate is stylish, streamlined and secure. It is the ultimate TS008 certified letterplate, made to protect and perfect your door. Its extreme compactness is what sets it apart from anything else currently on the market.

It has many features including:



MIX AND MATCH SOLUTION

Our revolutionary mix and match solution gives you the freedom to choose what finish you want for the internal and external frame. Whether it is a black inner frame with a white outer frame, or a traditional gold inner flap and gold outer flap – the choice is yours! Choose from 5 different finishes satin silver, satin chrome, chrome, black or white.



UAP TS008 Slim Letterplate

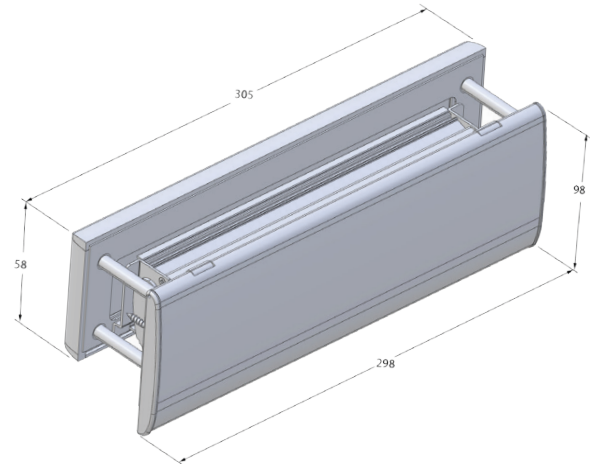
Finishes	Internal Frame Code*	External Frame Code	Material Construction	Coating Guarantee
Satin Silver	TS008-INTERNAL-SLIM-SILVER	TS008-EXTERNAL-PS	Aluminium	5 Years Inland
Satin Chrome	TS008-INTERNAL-SLIM-SATINCHROME	-	Aluminium	5 Years Inland
Chrome	TS008-INTERNAL-SLIM-CHROME	TS008-EXTERNAL-CHROME**	Aluminium	5 Years Inland
Black	TS008-INTERNAL-SLIM-BLACK	TS008-EXTERNAL-BLACK	Aluminium	5 Years Inland
White	TS008-INTERNAL-SLIM-WHITE	TS008-EXTERNAL-WHITE	Aluminium	5 Years Inland

* Internal use only

** For use on internal apartment flat entrance doors only

External Frame:

Distance Between Screw Holes	277mm
Letterplate Length	305mm
Letterplate Height	58mm
Frame Material	Aluminium
Cavity Hole Size	54mm x 259mm

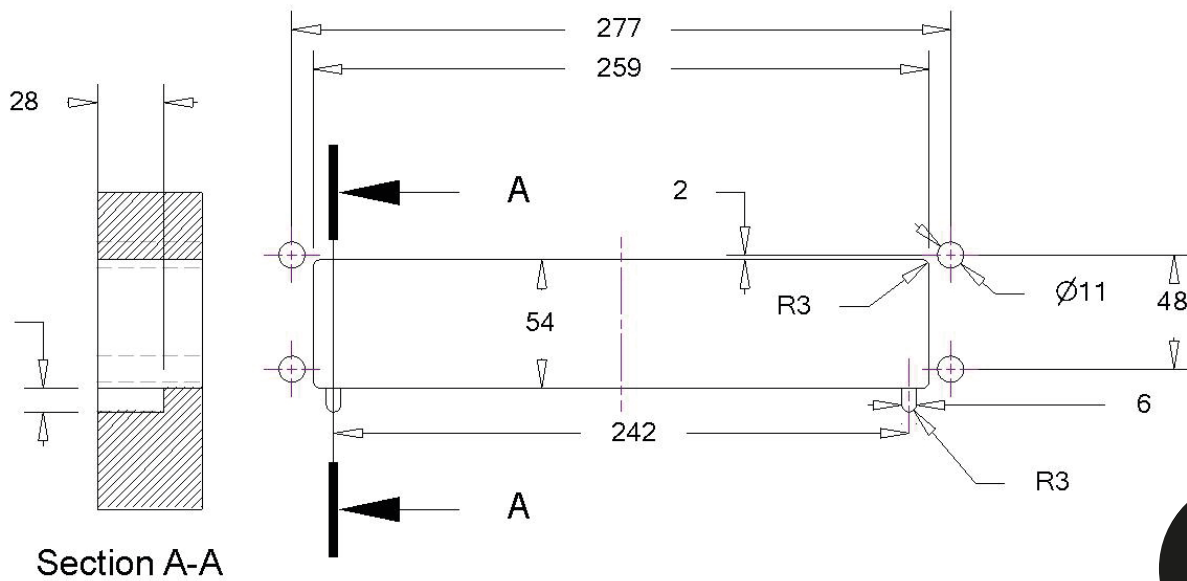


Internal Frame:

Distance Between Screw Holes	277mm x 48mm
Letterplate Length	298mm
Letterplate Height	98mm
Flap Material	Aluminium
Frame Material	Stainless Steel

Routing details*

* Please refer to fitting instructions for 1:1 routing template



5 Steps Easy Fit

